



SC Electronics Tech

SilvanChipElectronicsTech.Co.,Ltd.

Address: Fl.16 FuChang Building, Binhe Rd, Shenzhen, China

SC2260R4

SC2260 Description: (Compatible:PT2260)

SC2260 is a remote control encoder paired with either SC2272 utilizing CMOS Technology. It encodes data and address pins into a serial coded waveform suitable for RF modulation. SC2260 has a maximum of 10bits tri-state address pins providing up to 59049 address codes; thereby, drastically reducing any code collision and unauthorized code scanning possibilities. SC2260 is one of the first generation of Encoder/Decoder ICs that utilizes the unique PTC technology. When paired with SC2272, this encoder/decoder (SC2260/SC2272) pair can operate at very wide temperature range. Thus, this very important feature enables your encoder/decoder to operate under the worst environmental condition.

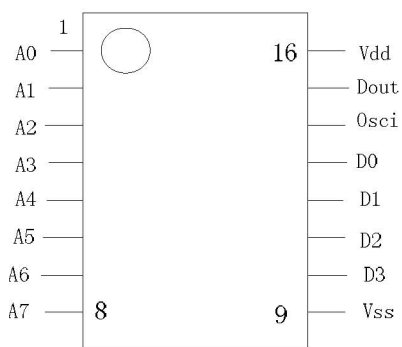
SC2260 Features: (Compatible:PT2260)

- Low power consumption
- Wide operating temperature range: -30 ~ 70 °C
- 8 or 10 tri-state code address pins
- 2 or 4 data pins
- Wide range of operating voltage :1.8- 10 voltes
- Single resistor oscillator
- Least external components

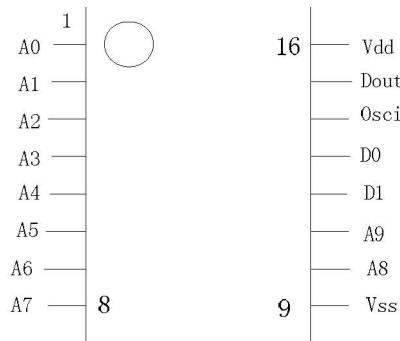
SC2260 Applications: (Compatible:PT2260)

- Home/motor car security system
- Garage door controller
- Remote fan controller
- Remote control toys

SC2260 Pin Configuration: (Compatible:PT2260)



SOP16



SOP/DIP16

Phone: 86-0755-88291843 88304213

Fax : 86-0755-88290509

E-mail: jja@sc-tech.cn

Http:// www.sc-tech.cn

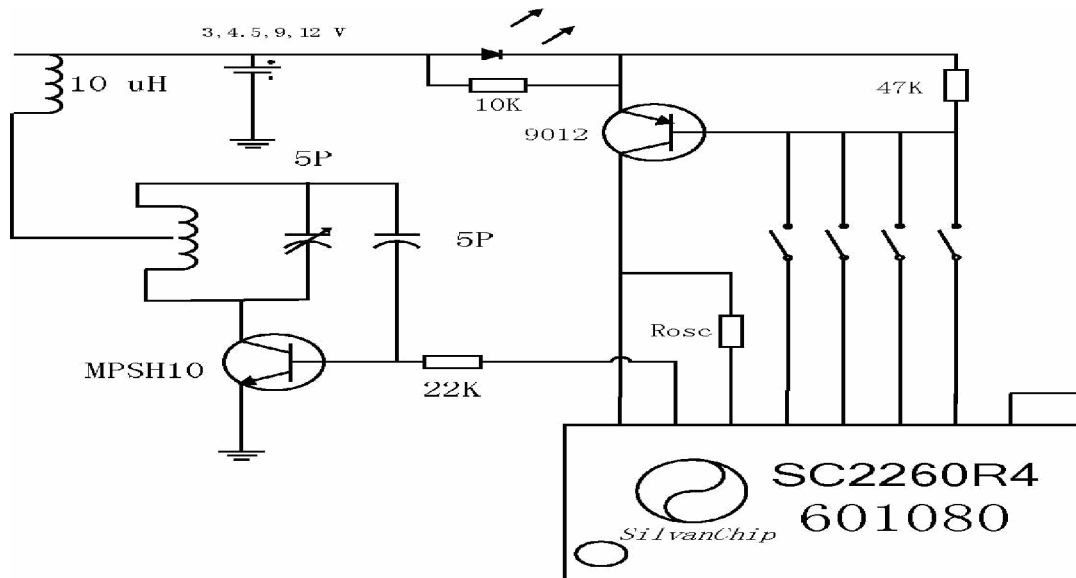


SC Electronics Tech

SilvanChip Electronics Tech. Co., Ltd.

Address: Fl.16 FuChang Building, Binhe Rd, Shenzhen, China

SC2260 Application circuits: (Compatible: PT2260)



SC2260 Rosc pairing: (Compatible: PT2260)

SC2260	4.7 M	SC2272	220K
	5.6 M		270K
	10 M		680K